

HUEBSCH MULTI-HOUSING

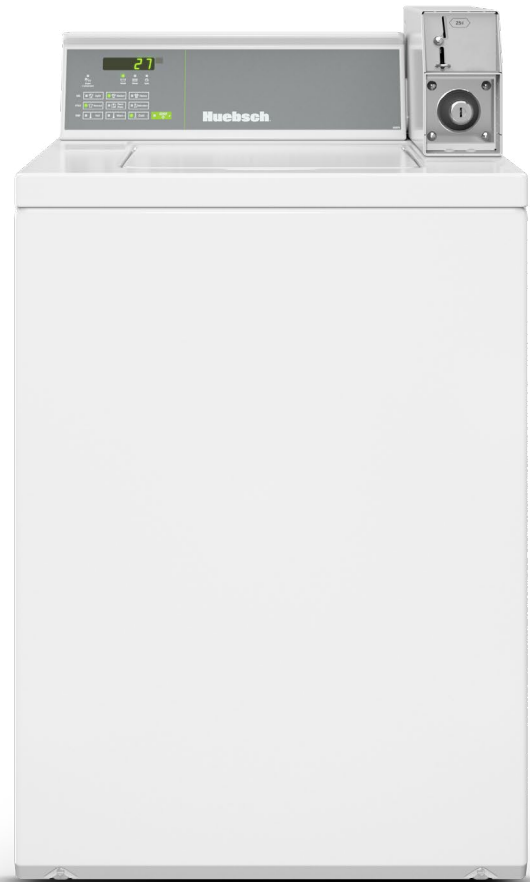
QUANTUM® GOLD COIN DROP INSTALLED, PREP FOR COIN, PREP FOR CARD

COMMERCIAL TOP LOAD WASHER – CANADA

Built for Reliable Performance

Huebsch®'s two-speed top load washer, defined by its simplicity and its performance, provides everything you need to get the job done – and nothing you don't. Huebsch's top load washer combines heavy-duty construction with reliable operation proven to stand the test of time. Huebsch® washers provide maximum energy efficiency and long-lasting performance.

- Touch pad control with sound annunciator
- 27 cycle selections
- Extract speed of 710 RPM spins clothes out drier
- Integrated meter case
- Advanced suspension system
- Easy-to-read digital display
- Cycle programming flexibility
- Multi-level vend pricing
- Individual cycle modifier keys
- Durable stainless steel tub standard
- 3.19 cu. ft. (90.3 liters) wash capacity
- Large capacity meter case standard
- Wash Alert™ capability



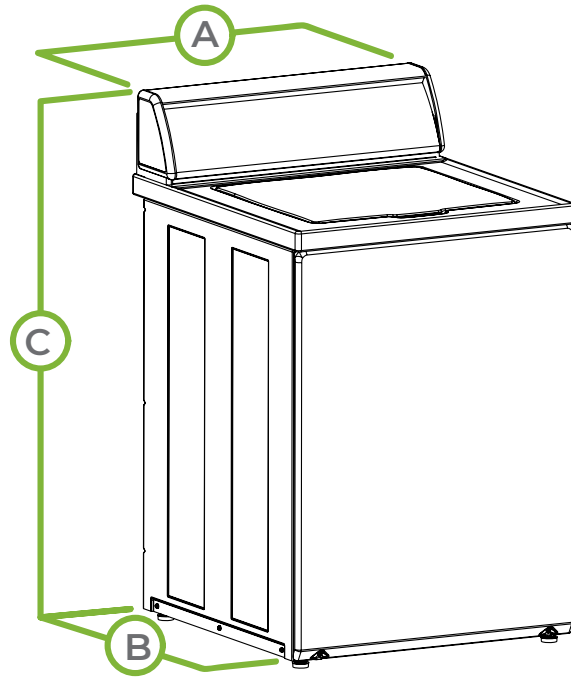
The cutting edge Quantum® control system from Huebsch® gives you the freedom to manage laundry your way with the power to achieve unmatched levels of revenue. Quantum Gold provides users with additional cycle choices while offering new options to help lower operating costs and incorporates tools and options to increase revenue.






SPECIFICATIONS

COMMERCIAL TOP LOAD WASHER – CANADA

| | |
|--|-------------------------------|
| MODEL - see below for all models and activation available | |
| CONTROL OPTION | Quantum Gold |
| COLOR | White |
| CAPACITY - lb (kg) | 16 (7.3) |
| OVERALL WIDTH - in (mm) | 25.63 (651) |
| OVERALL DEPTH - in (mm) | 28 (711) |
| OVERALL HEIGHT - in (mm) | 43 (1092) |
| CYLINDER VOLUME - cu. ft. (liters) | 3.19 (90.3) |
| SPIN SPEED G-FORCE (RPM) | 150 (710) |
| MOTOR SIZE - HP (kw) | 0.5 (0.37) |
| WATER CONSUMPTION PER CYCLE - g (liter)** | 28.07 (106) |
| IWF (WATER FACTOR) - gal/ft ³ (liters/liter/cycle)** | 8.8 (1.18) |
| MEF ₁₂ (Modified Energy Factor) ft ³ /kWh/cycle (Liters/kWh/cycle)** | 1.35 (38.2) |
| AVAILABLE WATER TEMPERATURES | Hot, Warm, Cold |
| AVAILABLE CYCLES | Normal, Perm Press, Delicates |
| ELECTRICAL REQUIREMENTS (v/Hz/Ph-Amp) | 120/60/1 - 15 Amp |
| WATER PRESSURE - p.s.i. (bar) | 20-120 (1.4/8.3) |
| DRAIN | Pump |
| CYLINDER FINISH | Stainless Steel |
| NET WEIGHT - lb (kg) | 206 (93.4) |
| SHIPPING WEIGHT - lb (kg) | 218 (98.8) |
| SHIPPING DIMENSIONS APPROX. - in (mm) | Width 28 (711) |
| | Depth 30 (762) |
| | Height 45 (1143) |
| AGENCY APPROVALS | cULus |



| | | |
|----|--------------------------|--------------|
| A. | OVERALL WIDTH - in (mm) | 25.625 (651) |
| B. | OVERALL DEPTH - in (mm) | 28 (711) |
| C. | OVERALL HEIGHT - in (mm) | 43 (1092) |

| MODELS | ACTIVATION |
|-----------------|--|
| HWNNE2SP115CW01 | Coin Drop Installed  |
| HWNNX2SP115CW01 | Prep for Coin  |
| HWNNY2SP115CW01 | Prep for Card  |

** Average usage based on multiple load sizes and current DOE test protocol. Real usage will vary depending on load size, composition and cycle selectivity.

For the most accurate information, the installation guide should be used for all design and construction purposes. Due to continuous product improvements, design and specifications subject to change without notice. The quality management systems at Alliance Laundry Systems are registered to ISO 9001.